

FLOCO/NAFCO FILTERS (NORTH AMERICAN FILTER CORPORATION) FOR GAS PRODUCTION, TRANSMISSION & DISTRIBUTION

Bulletin B-023/11-07

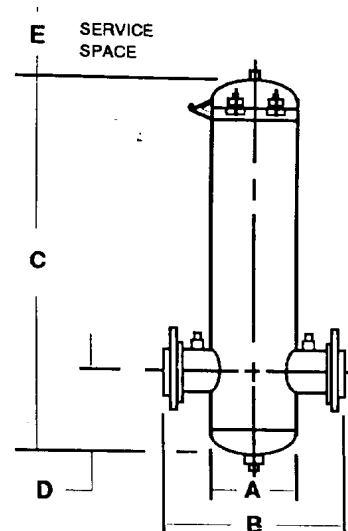
150 PSIG DESIGN PRESSURE GAS FILTERS DIMENSIONS & SPECIFICATIONS

Model No.	Pipe Size	A	B	C	D	E	WT. LBS.
41060-F12H	6"	12-3/4"	22"	47"	11"	26"	350
41080-F16H	8"	16"	28"	76"	13"	26"	550
41110-F20H	10"	20"	32"	82"	16"	26"	920
41120-F24H	12"	24"	38"	85"	19"	26"	1090

NOTE: All dimensions and weights are approximate.

STANDARD HOUSING SPECIFICATIONS

Design Pressure @ Temp:	150 PSIG @ 450°F
Materials of Construction -	
Housing:	Carbon Steel
Internals:	Carbon Steel
Closure Gasket:	Buna-N O-Ring (200°F Max.)
ASME Code Design:	'U' Stamp
Closure Type:	Hinged Swing Bolt
Connection Size/Type -	
Inlet/Outlet:	6" thru 12" - 150# ANSI R.F.S.O. FLG.
Vent:	1/2" FPT
Drain:	1-1/2" FPT
Gage (2):	1/4" FPT
Finish:	Standard Industrial Gray
Options:	Support Legs; Support Brackets Head Lift Davit SS Internals/Outlet ΔP Gage Special Housing Mat'l, gaskets or paint



STANDARD CARTRIDGE SPECIFICATIONS:

Cartridge type:	Molded or sewn radial fin
Filter media:	Polyester felt rated 98% retention at 4 microns. Lower micron ratings are available.
Hardware:	Corrosion resistant carbon steel & galvanized wire.
Max. Differential:	25 PSIG. Max. Recommended change out: 15 PSIG.
Max. Temperature:	200°F. Higher temperature media and gaskets are available.

FREDERICK LOGAN COMPANY
INCORPORATED

Since 1967

E-mail: Info@FrederickLoganCo.com

□ 140 COMMONWEALTH DR., THORN HILL INDUSTRIAL PARK
WARRENDALE, PA. 15086-7505
724-776-9300
FAX: 724-776-0355



□ 10925 REED HARTMAN HIGHWAY, SUITE 320
CINCINNATI, OH., 45242-2842 513-791-2423
FAX: 513-791-2467