

# FLOCO/NAFCO FILTERS (NORTH AMERICAN FILTER CORPORATION) FOR GAS PRODUCTION, TRANSMISSION & DISTRIBUTION

Bulletin B-024/11-07

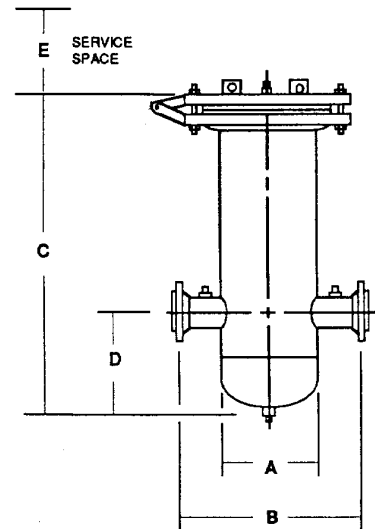
## 275 PSIG - SERIES 150 DESIGN PRESSURE GAS FILTER DIMENSIONS & SPECIFICATIONS

Model No.	Pipe Size	A	B	C	D	E	WT. LBS,
42010-F04B	1"	4-1/2"	11"	16"	5"	11"	65
42015-F06B	1-1/2"	6-5/8"	14"	23"	6"	15"	120
42020-F08B	2"	8-5/8"	16"	27"	8"	18"	170
42030-F08B	3"	8-5/8"	18"	33"	8"	18"	175
42040-F10B	4"	10-3/4"	20"	40"	9"	20"	300
42060-F12B	6"	12-3/4"	22"	47"	12"	23"	500
42080-F16B	8"	16"	28"	80"	14"	28"	880
42110-F20B	10"	20"	32"	85"	20"	32"	1270
42120-F24B	12"	24"	38"	86"	22"	36"	1720

NOTE: All dimensions and weights are approximate.

### STANDARD HOUSING SPECIFICATIONS

Design Pressure @ Temp:	275 psig @ 100°F
Materials of Construction -	
Housing:	Carbon Steel
Internals:	Carbon Steel
Closure Gasket:	Flat, Non-asbestos
ASME Code Design:	U' Stamp
Closure Type:	Bolted Blind Flange with Hinge
Connection Size/Type -	
Inlet/Outlet:	1" thru 12" - 150# ANSI R.F.S.O. FLG.
Vent:	1/2" FPT
Drain:	3/4" FPT for 1" - 4" Conn. 1-1/2" FPT for 6" - 12" Conn.
Gage (2):	1/4" FPT
Finish:	Standard Industrial Gray
Options:	Support Legs; Support Brackets Head Lift Davit SS Internals/Outlet Special Housing Mat'l, gaskets or paint



### STANDARD CARTRIDGE SPECIFICATIONS:

Cartridge type:	Molded or sewn radial fin
Filter media:	Polyester felt rated 98% retention at 4 microns. Lower micron ratings are available.
Hardware:	Corrosion resistant carbon steel & galvanized wire.
Max. Differential:	25 PSIG. Max. Recommended change out: 15 PSIG.
Max. Temperature:	200°F. Higher temperature media and gaskets are available.

**FREDERICK LOGAN COMPANY**  
INCORPORATED

Since 1967

E-mail: Info@FrederickLoganCo.com

□ 140 COMMONWEALTH DR., THORN HILL INDUSTRIAL PARK  
WARRENDALE, PA. 15086-7505 724-776-9300  
FAX: 724-776-0355



□ 10925 REED HARTMAN HIGHWAY, SUITE 320  
CINCINNATI, OH., 45242-2842 513-791-2423  
FAX: 513-791-2467