

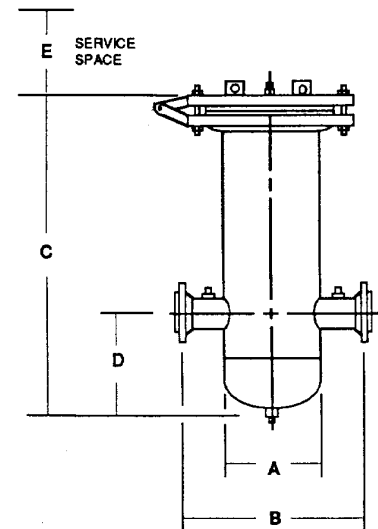
# FLOCO/NAFCO FILTERS (NORTH AMERICAN FILTER CORPORATION) FOR GAS PRODUCTION, TRANSMISSION & DISTRIBUTION

Bulletin B-025

## 720 PSIG - SERIES 300 DESIGN PRESSURE GAS FILTERS DIMENSIONS & SPECIFICATIONS

Model No.	Pipe Size	A	B	C	D	E	WT. LBS,
43010-F04B	1"	4-1/2"	11"	16"	5"	14"	100
43015-F06B	1-1/2"	6-5/8"	15"	25"	6"	17"	175
43020-F08B	2"	8-5/8"	16"	26"	7"	19"	320
43030-F08B	3"	8-5/8"	18"	33"	8"	19"	330
43040-F10B	4"	10-3/4"	20"	40"	9"	22"	540
43060-F12B	6"	12-3/4"	22"	48"	12"	25"	820
43080-F16B	8"	16"	28"	80"	14"	30"	1560
43110-F20B	10"	20"	32"	83"	17"	35"	2200
43120-F24B	12"	24"	38"	86"	22"	40"	3300

Note: All dimensions and weights are approximate.



### STANDARD HOUSING SPECIFICATIONS

Design Pressure @ Temp:	720 psig @ 100°F
Materials of Construction -	
Housing:	Carbon Steel
Internals:	Carbon Steel
Closure Gasket:	Flat, Non-asbestos
ASME Code Design:	'U' Stamp
Closure Type:	Bolted Blind Flange with Hinge
Connection Size/Type -	
Inlet/Outlet:	1" thru 12" - 300# ANSI R.F.S.O. FLG.
Vent:	1/2" FPT
Drain:	3/4" FPT for 1" - 4" Conn. 1-1/2" FPT for 6" - 12" Conn.
Gage (2):	1/4" FPT
Finish:	Standard Industrial Gray
Options:	Support Legs; Support Brackets Head Lift Davit SS Internals/Outlet Special Housing Material, gaskets or paint



### STANDARD CARTRIDGE SPECIFICATIONS:

Cartridge type:	Molded or sewn radial fin
Filter media:	Polyester felt rated 98% retention at 4 microns. Lower micron ratings are available.
Hardware:	Corrosion resistant carbon steel & galvanized wire.
Max. Differential:	25 PSIG. Max. Recommended change out: 15 PSIG.
Max. Temperature:	200°F. Higher temperature media and gaskets are available.

**FREDERICK LOGAN COMPANY**  
INCORPORATED

☐ 140 COMMONWEALTH DR., THORN HILL INDUSTRIAL PARK  
WARRENDALE, PA. 15086-7505 724-776-9300

Since 1967



E-mail: [Info@FrederickLoganCo.com](mailto:Info@FrederickLoganCo.com)

☐ 10925 REED HARTMAN HIGHWAY, SUITE 320  
CINCINNATI, OH. 45242-2842 513-791-2423