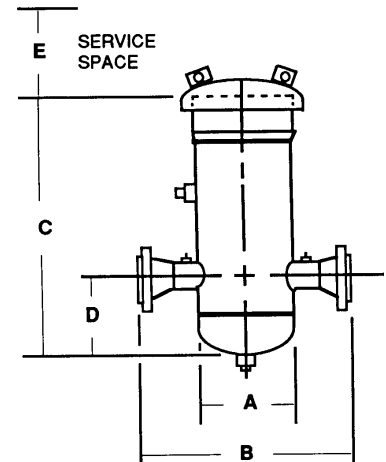


**1440 PSIG - SERIES 600 DESIGN PRESSURE GAS FILTERS
 DIMENSIONS & SPECIFICATIONS**

Model No.	Pipe Size	A	B	C	D	E	WT. LBS,
44010-F04Q	1"	4-1/2"	18"	20"	6"	13"	60
44015-F06Q	1-1/2"	6-5/8"	20"	28"	6"	13"	160
44020-F08Q	2"	8-5/8"	22"	25"	8"	13"	280
44030-F08Q	3"	8-5/8"	25"	38"	8"	18"	300
44040-F10Q	4"	10-3/4"	27"	38"	11"	23"	540
44060-F12Q	6"	12-3/4"	29"	54"	12"	20"	860
44080-F16Q	8"	16"	36"	90"	15"	28"	1780
44110-F20Q	10"	20"	40"	92"	18"	28"	2600
44120-F24Q	12"	24"	44"	99"	21"	28"	3680

NOTE: All dimensions and weights are approximate.



STANDARD HOUSING SPECIFICATIONS

Design Pressure @ Temp: 1440 psig @ 100°F
 Materials of Construction -
 Housing: Carbon Steel
 Internals: Carbon Steel
 Closure Gasket: Buna N O-Ring (200°F Max.)
 ASME Code Design: 'U' Stamp
 Closure Type: Quick Opening - Threaded
 Connection Size/Type -
 Inlet/Outlet: 1" thru 12" - 600# ANSI R.F.W.N. FLG.
 Vent: 1/2" FPT
 Drain: 3/4" FPT for 1" - 4" Conn.
 1-1/2" FPT for 6" - 12" Conn.
 Gage (2): 1/4" FPT
 Finish: Standard Industrial Gray
 Options: Support Legs; Support Brackets
 Head Lift Davit
 SS Internals/Outlet
 Special Housing Mat'l, gaskets or paint



STANDARD CARTRIDGE SPECIFICATIONS:

Cartridge type: Molded or sewn radial fin
 Filter media: Polyester felt rated 98% retention at 4 microns.
 Lower micron ratings are available.
 Hardware: Corrosion resistant carbon steel & galvanized wire.
 Max. Differential: 25 PSIG. Max. Recommended change out: 15 PSIG.
 Max. Temperature: 200°F. Higher temperature media and gaskets are available.

FREDERICK LOGAN COMPANY
 INCORPORATED

Since 1967

E-mail: Info@FrederickLoganCo.com

□ 140 COMMONWEALTH DR., THORN HILL INDUSTRIAL PARK
 WARRENDALE, PA. 15086-7505 724-776-9300
 FAX: 724-776-0355



□ 10925 REED HARTMAN HIGHWAY, SUITE 320
 CINCINNATI, OH., 45242-2842 513-791-2423
 FAX: 513-791-2467