

# FLOCO/NAFCO 180HLS SERIES FILTERS

## FOR NATURAL GAS METERING AND REGULATING STATIONS

HEAVY DIRT HOLDING CAPACITY

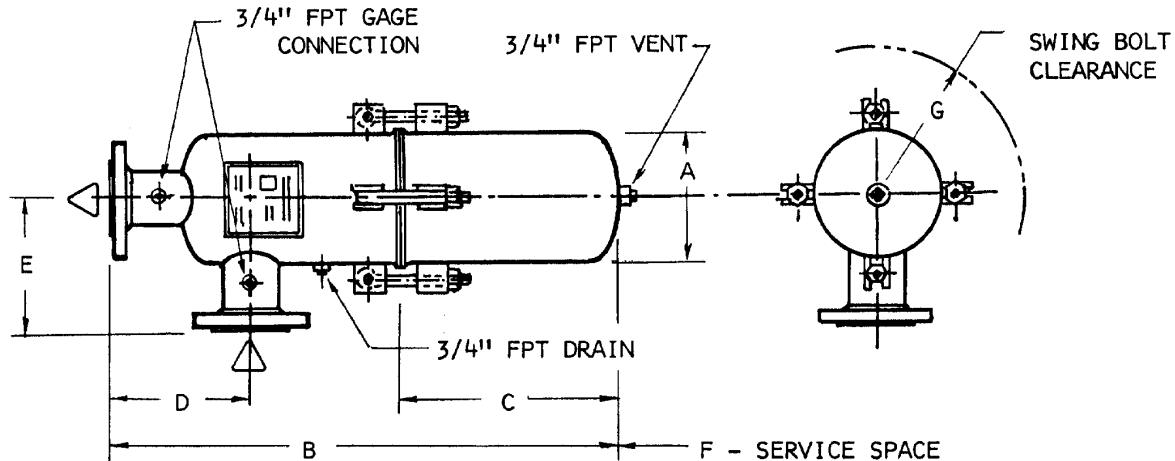
4 MICRON POLYESTER OR 5 MICRON PAPER MEDIA

175 PSIG @ 450 F DESIGN -- ASME CODE STAMPED

QUICK OPENING, LIGHT WEIGHT HEAD

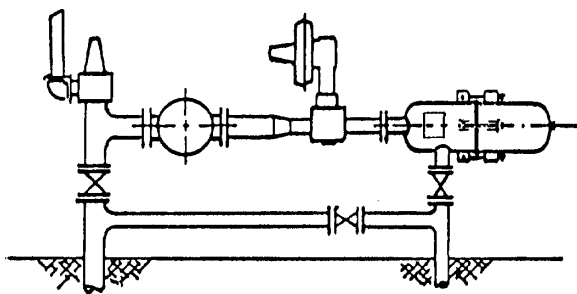


BULLETIN B-012/10-01



MODEL NO.	PIPE SIZE	DIMENSIONS - INCHES							WGT. LBS.
		A	B	C	D	E	F	G	
1.5F180HLS6	1-1/2 FLG	6-1/4	23-3/8	9-1/2	8	8	11	11	50
2F180HLS6	2" FLG	6-1/4	23-3/8	9-1/2	8	8	11	11	55
2F180HLS8	2" FLG	8-1/4	31-1/8	13-5/8	8	8	15	12	65
3F180HLS6	3" FLG	6-1/4	23-3/8	9-1/2	8	8	11	11	60
3F180HLS8	3" FLG	8-1/4	31-1/8	13-5/8	8	8	15	12	70
4F180HLS8	4" FLG	8-1/4	31-1/8	13-5/8	9-1/2	9-1/2	15	12	90
4F180HLS10 *	4" FLG	10-1/4	39-1/8	17-5/8	9-1/2	9-1/2	19	13	135
6F180HLS10 *	6" FLG	10-1/4	39-1/8	17-5/8	10-1/2	10-1/2	19	13	150

NOTE: These models have hinged, Tube-Turns Swing-Bolt heads



**METER STATION**

- LOW PROFILE SETTING**
- LOWER COST SETTING**
- CONVENIENT CARTRIDGE ACCESS**
- QUICK OPENING LIGHT WEIGHT HEAD**
- LARGE SUMP AREA WITH DRAIN**

FREDERICK LOGAN COMPANY, INC. 140 Commonwealth Drive, Warrendale, PA., 15086

Phone: 724-776-9300 Fax: 724-776-0355 E-mail: [Info@FrederickLoganCo.com](mailto:Info@FrederickLoganCo.com)

